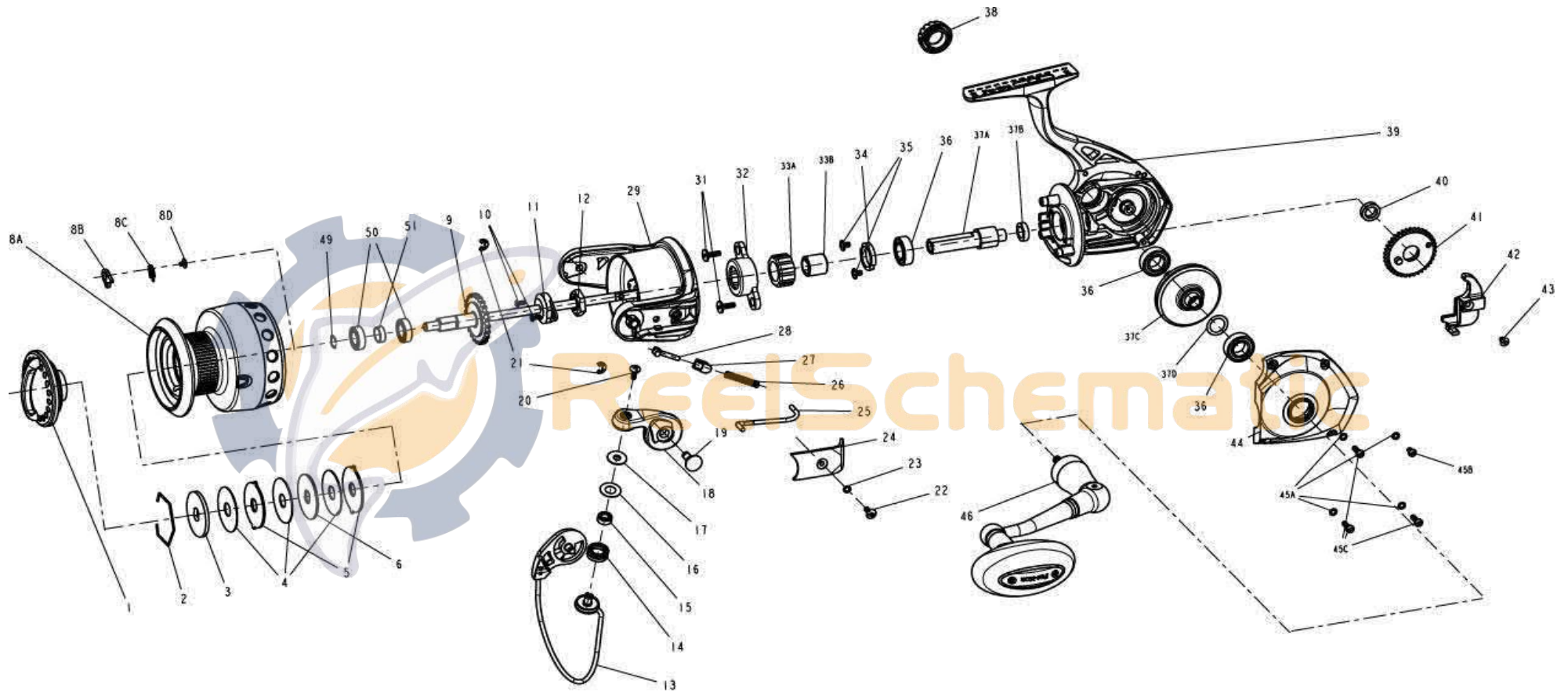


**Lethal LT60**



# FIN-NOR®

LEGENDARY TACKLE SINCE 1933

## Lethal LT60

### Fin-Nor Lethal LT60 Reel Part List

Key #	Description	Qty	Part No.	Key #	Description	Qty	Part No.
1	DRAG KNOB ASSEMBLY	1	BT332-61	26	ACTUATOR SPRING	1	JO022-01
2	SPOOL RETAINER	1	JO038-01	27	ACTUATOR	1	JO258-01
3	DRAG WASHER "D"	1	LO080-01	28	ACTUATOR SPRING PIN	1	JO031-01
4	DRAG WASHER "B"	3	JO033-01	29	ROTOR	1	JO009-03
5	DRAG WASHER "A"	2	JO081-01	30	PINION GEAR WASHER	1	N/A
6	DRAG WASHER "D"	1	JO080-01	31	SCREW - CLUTCH	2	GU077-01
7	SPOOL BUSHING	1	N/A	32	CLUTCH COVER	1	JO175-01
8	SPOOL ASSEMBLY KIT	1	LO421-03	33	CLUTCH ASSEMBLY KIT	1	JO4178-01
	8A - SPOOL ASSEMBLY	1	LO321-03		33A - CLUTCH HOUSING	1	JO178-01
	2 - SPOOL RETAINER	1	JO038-01		33B - CLUTCH SLEEVE	1	JO139-01
	3 - DRAG WASHER - KEYED	1	LO080-01	34	WASHER - ADJUST CLUTCH	1	JO259-01
	4 - DRAG WASHER - FRICTION	3	JO033-01	35	SCREW - BEARING	2	GU077-04A
	5 - DRAG WASHER - TABBED	2	JO081-01	36	BALL BEARING - PINION	1	CP058-01
	6 - DRAG WASHER - KEYED	1	JO080-01	37	GEAR KIT	1	JO4011-01
	7 - SPOOL BUSHING	1	N/A		37A - PINION GEAR	1	JO011-01
	8B - SPOOL CLICKER	1	JO103-01		37B - PINION BUSHING	1	BT141-01
	8C - CLICK SPRING	1	JO068-01		37C - DRIVE GEAR	1	DT312-01
	8D - SCREW - CLICKER	1	GU077-04A		37D - DRIVE GEAR ADJUST WASHER	1	GU105-36
9	MAINSHAFT ASSEMBLY	1	JO315-02	38	HANDLE CAP ASSEMBLY	1	BT373-61
10	ROTOR NUT LOCK SCREW	2	JO094-01	39	BODY	1	JO001-02
11	RETAINER - ROTOR NUT	1	BT214-01	40	OSCILLATOR GEAR BUSHING	1	BT158-01
12	ROTOR NUT	1	BT006-01	41	OSCILLATOR GEAR	1	BT053-01
13	BAIL ASSEMBLY	1	JO347-03	42	OSCILLATOR GEAR SLIDER	1	BT025-01
14	LINE ROLLER	1	CH004-02	43	MAIN SHAFT SCREW	1	RQ100-01
15	LINE ROLLER BEARING	1	GH202-01	44	BODY COVER	1	JO023-03
16	LINE ROLLER WASHER	1	DH102-01	45	BODY COVER SCREW KIT	1	JO4057-01
17	LINE ROLLER COLLAR	1	CH102-01		45A - SCRATCH PROTECT WASHER	4	RQ142-01
18	ARM LEVER	1	JO007-03		45B - BODY COVER SCREW	1	JO057-01
19	PIN	1	PG042-53		45C - BODY COVER SCREW	3	AT057-01
20	SCREW - LINE SLIDER	1	AQ108-01	46	HANDLE ASSEMBLY	1	JO318-02
21	E-CLIP - BAIL ASSEMBLY	2	GH034-01	47	BALL BEARING - BODY	1	N/A
22	ARM LEVER COVER SCREW	1	GU077-02A	48	BALL BEARING - BODY COVER	1	N/A
23	ARM LEVER COVER WASHER	1	SQ142-01	49	RETAINING RING	1	JO036-01
24	ARM LEVER COVER	1	JO087-03	50	BALL BEARING - MAIN SHAFT	2	HU028-01
25	KICK LEVER	1	JO019-01	51	BUSHING - MAIN SHAFT	1	JO141-01